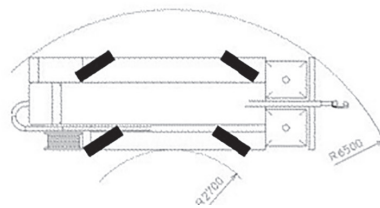
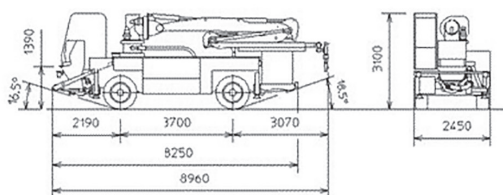
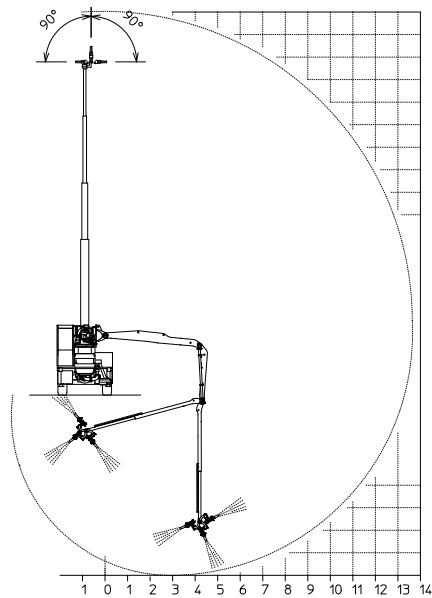
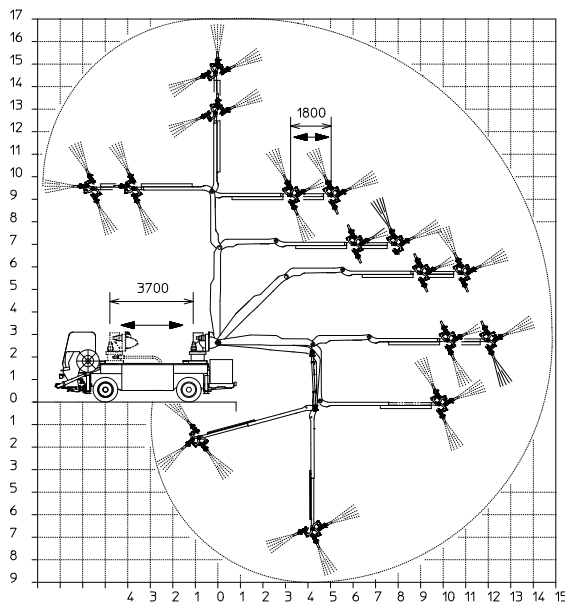


3100



8960

Dimensions and Performances





Characteristics

Diesel engine

- Perkins Stage IIIA
- Deutz Stage V

Driving cab

- FOPS certification reversible driving position

Carrier chassis

- 4 wheel drive
- 4 wheel steering
- axles planetary type, Dana Spicer
- 2 speeds
 - 1st gear max 8 km/h
 - 2nd gear max 26 km/h

Uniflux H1.0 dosing system

- Peristaltic pump with hydraulic drive ASP25
- Electronic management

Concrete pump

- Diesel and Electric operated
- Proportional flow regulation
- Electric vibrator fitted to the grid

Proportional radio-remote control

- N° 2 transmitters
- Safety cable

Washing system

- High pressure water pump, 50 l/min - 50 bar
- Hydraulic drive
- Nozzle and 10 m of pipe
- Water tank, 600 l
- Handpump for concrete anti-adhesion protection

Automatic lubrication in 8 points for

- S valve
- Pumping group mixer
- Boom sliding turret and boom double trust block
- Electric motor ABB 55kW IE3

Electrical System Carrier

- 24 V
- Battery 2 x 120 Ah
- Alternator 55 A
- Front lights 2 x 55 W
- Rear lights 2 x 55 W

Shotcreting operations

- Working lights N° 6 x 45W-4800 lumen xenon
- Working lights on hopper N° 1 x 70W

Nozzle brush movement

One colour painting, RAL 2000

Main options

- Compressor (75 kW, 11.500 l/min, max 7,5 bar)
- Additives heating system
- ATEX configuration
- Cold climate oil
- Low flammable oil
- Fire suppression system on Diesel engine compartment
- ROPS certification
- Peristaltic pump with hydraulic drive ASP15 or peristaltic pump with hydraulic drive ASP22

Mobile Concrete Sprayer

Shotcrete Boom	ELK
Pumping Unit	PAS 307
Shotcreting	Diesel/Electric
Chassis	2 axles

Technical data

PUMPING UNIT TECHNICAL DATA

MODEL	PAS 307	
Theoretical output (Min ÷ Max)	m ³ /h	5 ÷ 30
Max. pressure on concrete	bar	65
Max. number of cycles per minute	n°	16
Concrete cylinders (diam. x stroke)	mm	200X1000
Hopper capacity	l	300
Installed power (electric - diesel)	kW	55 - 65

PLACING BOOM TECHNICAL DATA

MODEL	ELK	
Turret rotation angle	± 180°	
Turret horizontal rotation angle	± 180°	
1 st section lifting angle	+90° / -5°	
2 nd section lifting angle	180°	
3 rd section lifting angle	270°	
3 rd section telescopic extension	m	1,8
Longitudinal nozzle rotation	180°	
Transversal nozzle rotation	± 90°	
Boom longitudinal sliding stroke	m	3,7 / 3**

** if the optional "air compressor" is chosen

DOSING SYSTEM TECHNICAL DATA

MODEL	Uniflux H1	
Theoretical output (Min ÷ Max)	l/min	1 ÷ 21
Max pressure	bar	13
Accelerator tanks	/	2 X 1000

TRUCK CHASSIS TECHNICAL DATA

MODEL	Shottruck 2	
Turning circle	m	5,2
Wheelbase	m	3,7
Coupling angle	16,5°	
Outlet angle	18,5°	
Truck tyres	16X24	
Net Weight (dry)	Kg	13400 / 14900**
Max. Weight	Kg	18500

The use of the product must not exceed 2000 metres in elevation above sea level. Above this elevation the correct operation of the system is impaired and this case has to be previously notified to CIFA.

Technical data and characteristics subject to modifications without notice